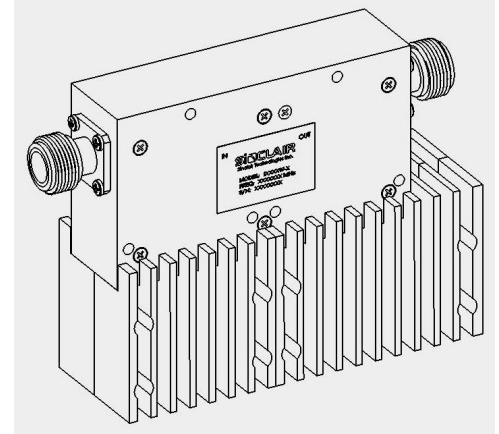


I3213W-1 Wide band dual stage isolator, 60 Watts reverse power, 350-385 MHz

- Operational in an extreme wide frequency range without retuning required
- Dual stage with additional heat sink for 60 Watts reverse power handling
- Built in 125 Watt load

These wide bandwidth isolators allow for broad band and frequency flexible combining without having to readjust the isolators. The UHF version is available in the following sub-bands:

Model	Frequency Range	Bandwidth
I3213W-1	350-385 MHz	35 MHz
I3213W-2	380-415 MHz	35 MHz
I3213W-3	405-440 MHz	35 MHz
I3213W-4	430-470 MHz	40 MHz
I3213W-5	459-512 MHz	53 MHz



www.sinctech.com

Region	United States	Europe, Middle East and Africa	Caribbean and Latin America	Canada and rest of the world
Telephone	USA: 1 800 263 3275	International: +44 (0) 1487 84 28 19	International: +1 905 726 7676	Canada: 1 800 263 3275 International: +1 905 727 0165
E-mail	salesusa@sinctech.com	salesuk@sinctech.com	salesla@sinctech.com	salescan@sinctech.com

Electrical Specifications

Frequency Range	MHz	350 to 385
Bandwidth	MHz	35
Discription/ Characteristics		Dual Stage
Field Tunable		No
VSWR (max)		1.2:1
Insertion Loss (max)	dB	0.8
Impedance	Ω	50
Average Power Reflected (max)	W	60
Average Power Input (max)	W	125
Input Connectors		N-Female
Output Connectors		N-Female
Isolation (min)	dB	50

Mechanical Specifications

Net Weight (circulator only)	lbs (kg)	1.7 (0.77)
Number of Connectors		2
Depth	in (mm)	4.27 (108)
Height	in (mm)	3.46 (88)
Width	in (mm)	1.5 (38)
Shipping dimensions	in (mm)	6x5x4 (152x127x102)

Environmental Specifications

Temperature range	°F (°C)	-22 to +140 (-30 to +60)
-------------------	---------	--------------------------

Region	United States	Europe, Middle East and Africa	Caribbean and Latin America	Canada and rest of the world
Telephone	USA: 1 800 263 3275	International: +44 (0) 1487 84 28 19	International: +1 905 726 7676	Canada: 1 800 263 3275 International: +1 905 727 0165
E-mail	salesusa@sinctech.com	salesuk@sinctech.com	salesla@sinctech.com	salescan@sinctech.com